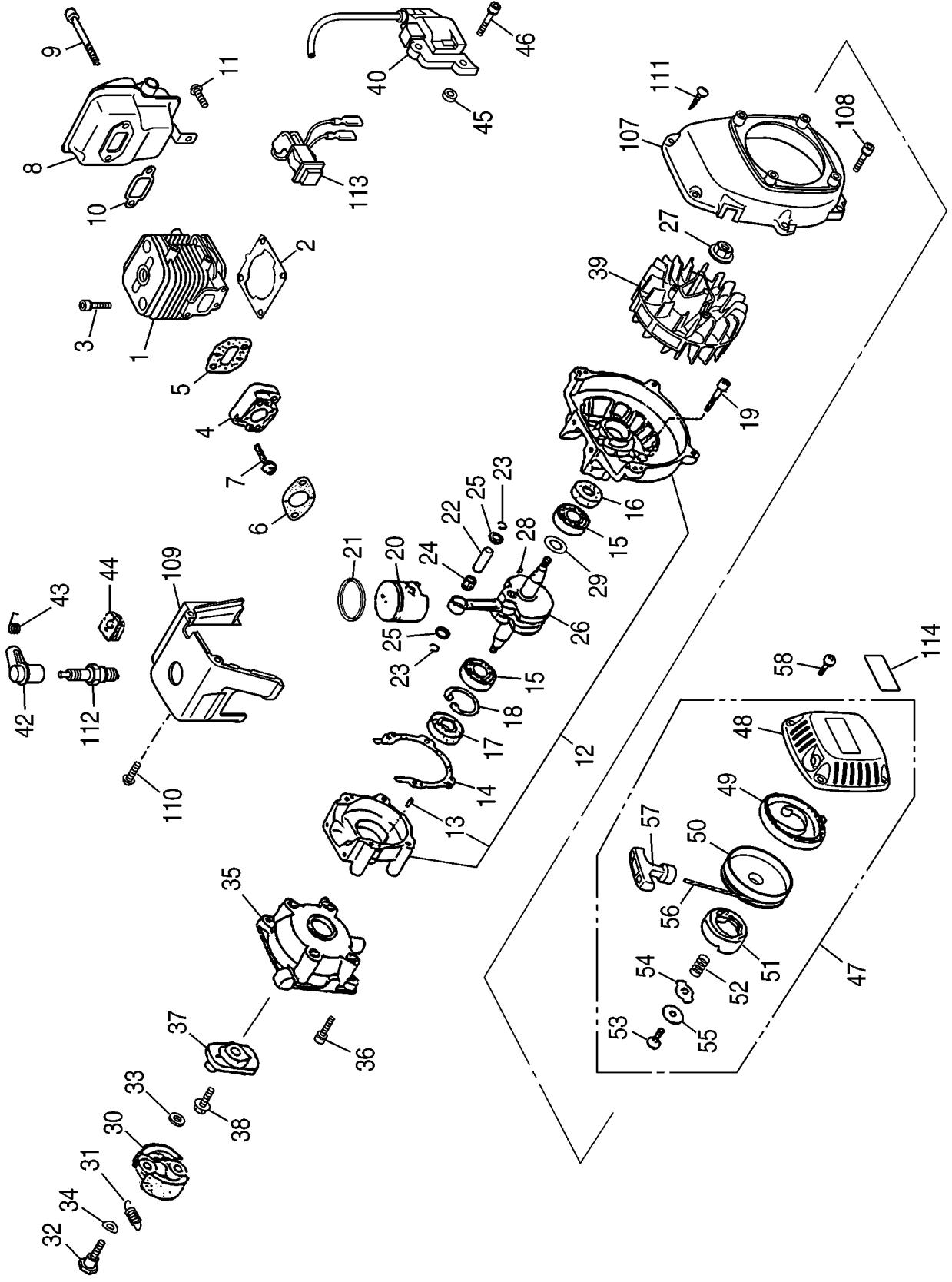
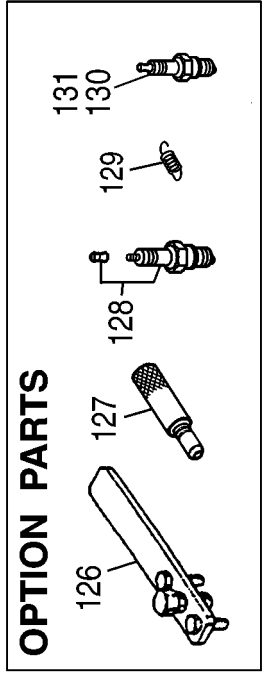
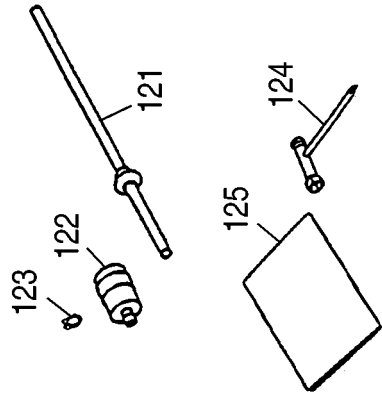
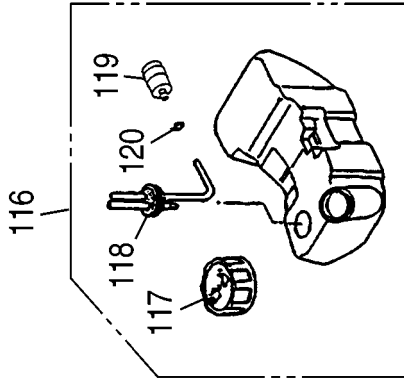
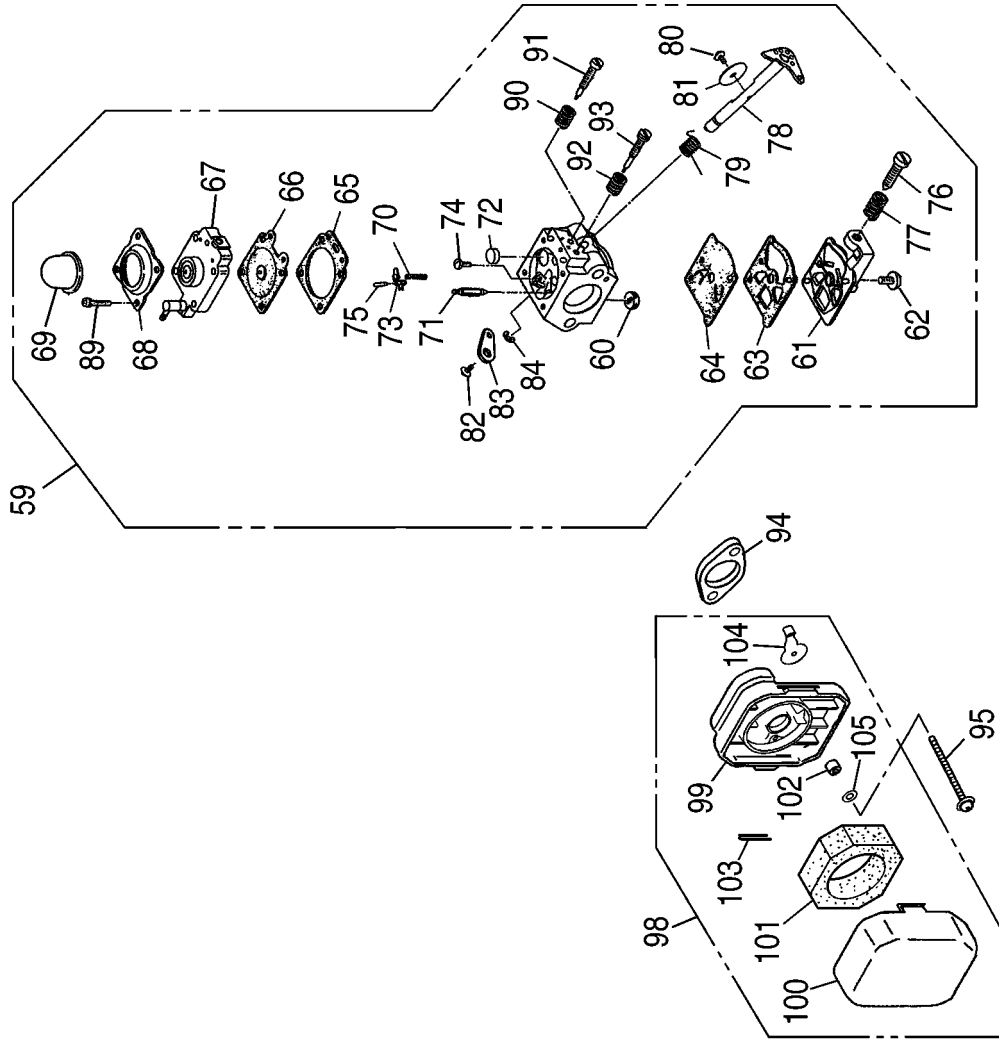


# PARTS LIST G270RC (X374326111)



# G270RC (X374326111)



# PARTS LIST G270RC (X374326111)

KEY#	PART NUMBER	DESCRIPTION	Q'TY/ UNIT	REMARKS
1	848ET812A0	CYLINDER	1	
2	T2075-13120	GASKET	1	
3	3310-12281	BOLT	4	M5x20L
4	1148-13162	INSULATOR	1	
5	848ER814B0	GASKET, INSU	1	
6	T2075-14120	GASKET, CARB	1	
7	3310-12281	BOLT	2	M5x20L
8	T2070-15110	MUFFLER	1	
9	01252-30550	BOLT	2	M5x50L
10	1140-13141	GASKET, MUFFLER	1	
11	1850-32160	SCREW	1	M4x12L
12	848ER82110	CRANKCASE-C	1	
13	2629-21130	• PIN	3	
14	5500-21141	GASKET, CASE	1	
15	1155-21240	BEARING	2	
16	2169-21210	SEAL	1	
17	06034-06001	BEARING	1	
18	04065-02812	RING	1	
19	01252-30530	BOLT	4	M5x30L
20	T2088-41110	PISTON	1	
21	T2088-41210	RING	1	
22	1600-41310	PIN	1	
23	1260-41320	RING	2	
24	5500-41410	BEARING	1	
25	1101-41340	WASHER	2	
26	T2070-42001	CRANKSHAFT-C	1	
27	1650-43230	NUT	1	M8x1.0
28	1000-43240	KEY	1	
29	1140-43250	SIM	1	
30	1140-51111	SHOE	2	
31	T2070-51220	SPRING (6000rpm IN)	1	
32	1140-51250	SCREW	2	M6x22L
33	1140-51230	WASHER	2	
34	1140-51242	WASHER	2	

KEY#	PART NUMBER	DESCRIPTION	Q'TY/ UNIT	REMARKS
35	1140-21162	CASE, CLUTCH	1	
36	3350-15250	BOLT	4	M5x16L
37	1140-55310	PLATE	1	
38	0224-30614	BOLT	1	M6x14L
39	T2070-71110	ROTOR	1	
40	T2070-71200	COIL-A	1	
42	T2075-72210	CAP	1	
43	1400-72121	SPRING	1	
44	5500-72130	GROMMET	1	
45	1260-71261	SPACER	2	
46	3350-14150	BOLT	2	M4x20L
47	T2070-75101	RECOIL-A	1	
48	T2070-75110	• CASE	1	
49	5990-75120	• SPRING, SPIRAL	1	
50	5990-75131	• REEL	1	
51	5990-75141	• RATCHET	1	
52	5990-75151	• SPRING, BREAK	1	
53	5990-75270	• SCREW	1	
54	5990-75160	• RETAINER	1	
55	5990-75170	• WASHER	1	
56	1861-75180	• ROPE	1	
57	1490-75181	• KNOB	1	
58	0263-90416	SCREW	4	M4x16L
59	575 65 50-01	CARBURETOR-A	1	WT-990
60	3306-81380	• SCREEN	1	
61	3080-81120	• COVER	1	
62	3310-81130	• SCREW	1	
63	3304-81140	• GASKET	1	
64	1172-81150	• DIAPHRAGM	1	
65	1751-81470	• GASKET	1	
66	3310-81260	• DIAPHRAGM	1	
67	T2070-81210	• BODY-A	1	
68	1751-81520	• COVER	1	

# G270RC (X374326111)

KEY#	PART NUMBER	DESCRIPTION	Q'TY/ UNIT	REMARKS
69	1751-81510	• PUMP	1	
70	2867-81270	• SPRING	1	
71	3356-81310	• VALVE inlet	1	
72	1480-81420	• PLUG welch	1	
73	3310-81230	• LEVER	1	
74	3310-81240	• SCREW	1	
75	3310-81250	• PIN	1	
76	2630-81330	• SCREW	1	
77	3350-81380	• SPRING	1	
78	T2070-81370	• SHAFT throttle	1	
79	2670-81410	• SPRING	1	
80	2880-81470	• SCREW	1	
81	3310-81340	• VALVE throttle	1	
82	2880-81470	• SCREW	1	
83	1790-81440	• LEVER throttle	1	
84	1148-81390	• RING	1	
89	1148-81530	• SCREW	4	
90	1491-81160	• SPRING	1	
91	1148-81171	• NEEDLE low speed	1	
92	3080-81320	• SPRING	1	
93	T2070-81330	• NEEDLE high speed	1	
94	T2070-82510	SPACER	1	
95	0263-90560	SCREW	2	M5x60L
98	848ER88300	CLEANER-A	1	
99	T1000-82110	• HOUSING	1	
100	5730-82040	• COVER	1	
101	1751-82020	• FILTER	1	
102	5730-82060	• SLEEVE	2	
103	848EP183Y0	• CLIP	1	
104	848ER883C0	• VALVE	1	
105	1918-82160	• WASHER	1	

KEY#	PART NUMBER	DESCRIPTION	Q'TY/ UNIT	REMARKS
107	T2070-31111	COVER, FAN	1	
108	3310-12281	BOLT	4	M5x20L
109	576 87 19-01	COVER-A	1	
110	1850-32160	SCREW	1	M4x12L
111	1900-31410	SCREW	2	TP4.5x18L
112	3699-91867	SPARKPLUG NGK CMR7H	1	
113	T2070-72200	SWITCH-A	1	
114	848ET890C0	LABEL, RECOIL	1	
116	1726-85004	TANK-A	1	OP
117	5601-85201	• CAP-A	1	OP
118	1726-85601	• PIPE COMP	1	OP
119	5500-85400	• FILTER	1	OP
120	1260-85460	• CLIP	1	OP
121	1799-85400	PIPE COMP	1	
122	5500-85400	FILTER	1	
123	1260-85460	CLIP	1	
124	T3039-91310	SOCKET	1	
125	115 39 20-26	MANUAL	1	
126	2890-96100	PULLER-A	1	OP
127	4810-96220	STOPPER	1	OP
128	848ETZ71T0	SPARKPLUG NGK CR8HIX with Terminal Nut	1	OP
129	1764-51220	SPRING (5000rpm IN)	1	OP
130	3699-91975	SPARKPLUGNGK CMR6H	1	OP
131	3699-91809	SPARKPLUG Champion RZ7C	1	OP